

Mounting Instruction

CRAFTER STD

1 DK - MONTAGE GB - INSTALLATION

Bemærk:

- Montering af armatur og evt. servicering af LED komponenter, må kun udføres af en kvalificeret person.
- Under hele armatur installationsprocessen skal armaturet altid være i spændingsløs tilstand.
- Sikre dig altid at armaturet er i spændingsløs tilstand, før der åbnes for armaturet ved udførsel af service.
- Ikke-brugerudskiftelig lyskilde: Lyskilden i dette armatur må kun udskiftes af producenten, dennes serviceværksted eller af en tilsvarende kvalificeret person.
- " ESD følsom elektronik " undgå alt unødvendig berøring af LED paneler og LED drivere.
- Optiske linser samt andre former for optik, gitre og covers, skal altid være monteret når armaturet er i drift.
- Armaturer med DALI driver, skal være tilsluttet en god og aktiv jordforbindelse.

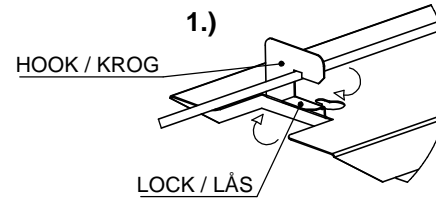
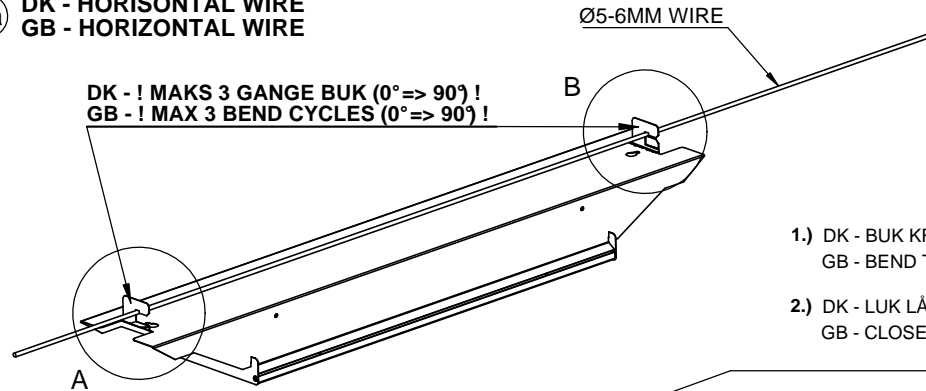


Attention:

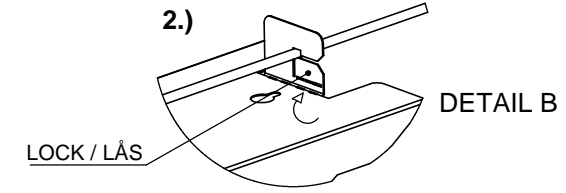
- Installation of Luminaire and servicing of LED Components, may only be performed by a qualified Person.
- During the complete Luminaire installation process, the Luminaire must always be without Power.
- Always Power off Luminaire before opening or accessing any Part of the Luminaire during Service routines.
- Non-user replaceable Lightsource: The Lightsource contained in this Luminaire shall only be replaced by the Manufacturer, or his Service agent or a similar qualified Person.
- " ESD sensitive components " avoid unnecessary touching LED Boards and LED Drivers.
- Optical Lenses, other forms of Optics and Grids, must always be mounted when Luminaire is in operation.
- Luminaire with DALI Driver must have an good active ground/earth Connection.



1.a DK - HORIZONTAL WIRE GB - HORIZONTAL WIRE



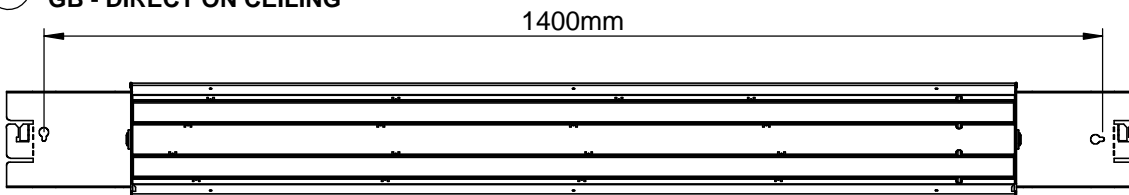
DETAIL A



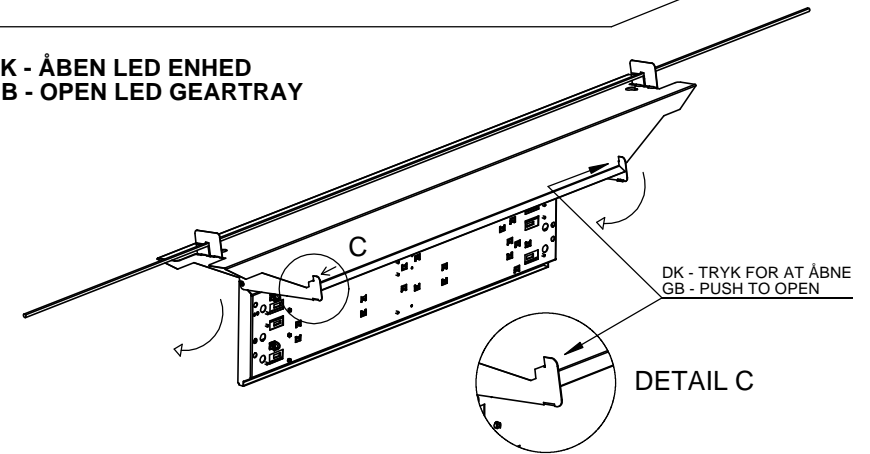
DETAIL B

- 1.) DK - BUK KROGENE (90°) OP, OG ÅBEN LÅSENE (90°) I BEGGE ENDER, HEREFTER MONTERES ARMATURET PÅ WIREN.
GB - BEND THE HOOKS UPWARDS IN (90°), AND OPEN THE LOCKS IN (90°), THEN MOUNT LUMINAIRE ON THE WIRE.
- 2.) DK - LUK LÅSENE I BEGGE ENDER, FOR AT SIKRE/LÅSE ARMATURET PÅ WIREN.
GB - CLOSE THE LOCKS IN BOTH ENDS, TO SECURE/FIX THE LUMINAIRE ON THE WIRE.

1.b DK - DIREKTE PÅ LOFT GB - DIRECT ON CEILING



2 DK - ÅBEN LED ENHED GB - OPEN LED GEARTRAY



DETAIL C

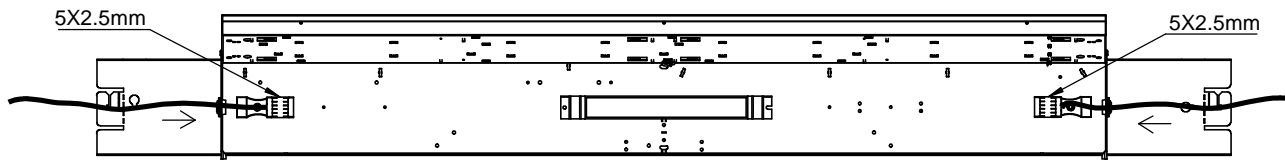
3 DK - TILSLUTNINGER GB - CONNECTIONS

H. WIRE

DK - LÅS KABLER PÅ WIREN
GB - SECURE CABLES

5-6MM WIRE

!! (KONDENS Vand / CONDENSATION) !!
DK - LAV "DRYPNÆSER" PÅ KABLERNE
GB - MAKE "NOSE" CURVES ON THE CABLES



4 DK - LUK LED ENHED GB - CLOSE LED GEARTRAY

